

BZGI-2RN

M

DRAWING NUMBER

7

ISSUE

3

CHECK

SMAR TO

WHE

REVISIONS

A 0027253

M B S
14 APR 70

B PR-1341

R E R
17 JUL 70

C 0037675

K P K
23 SEP 76

D 0067624

S L B
18 JUN 90

E 0072977

G J W
8 AUG 92

F CO-
77179-C

MAM
12 MAR 94

CHECK

SMAR TO

WHE

REPLACES

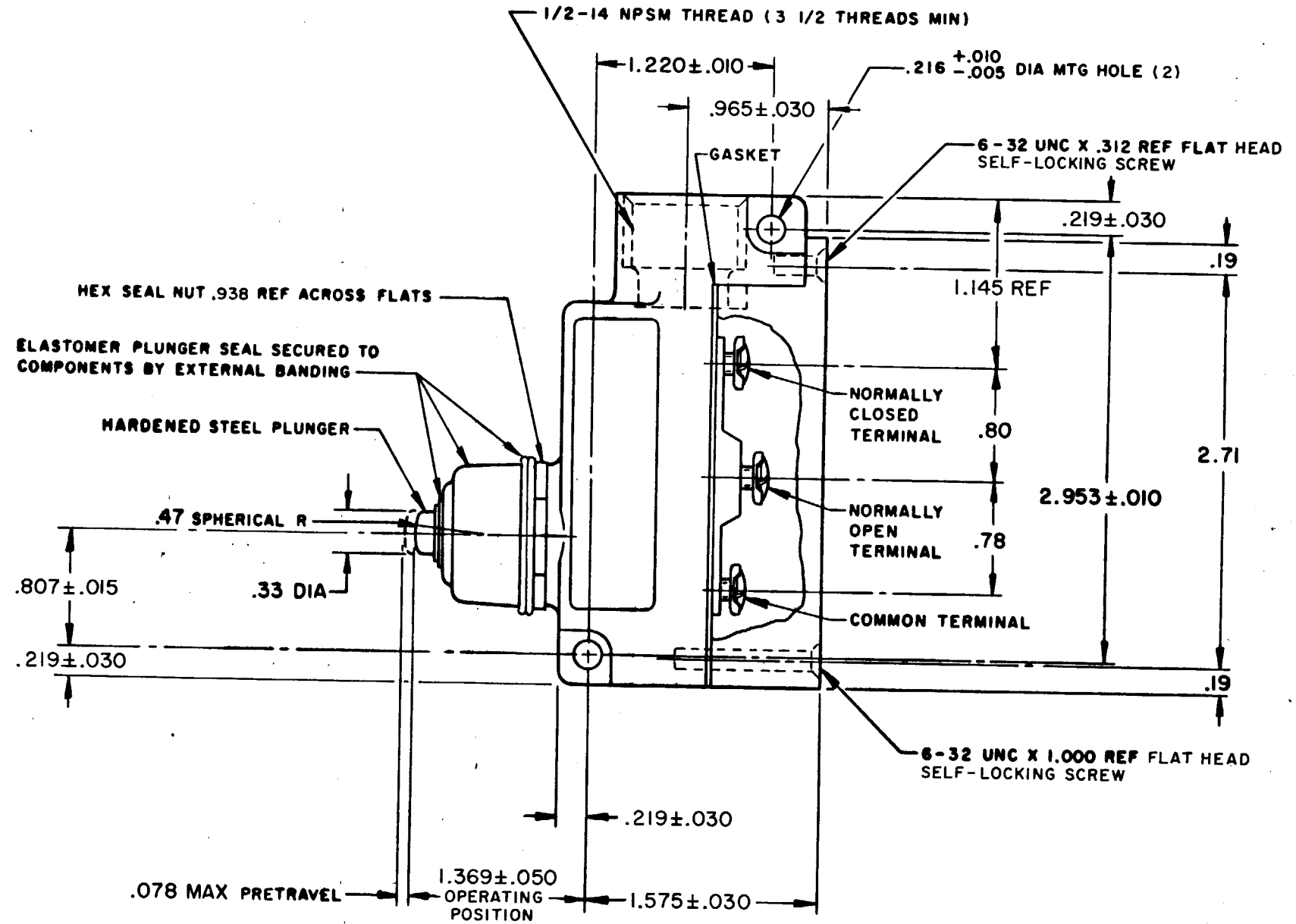
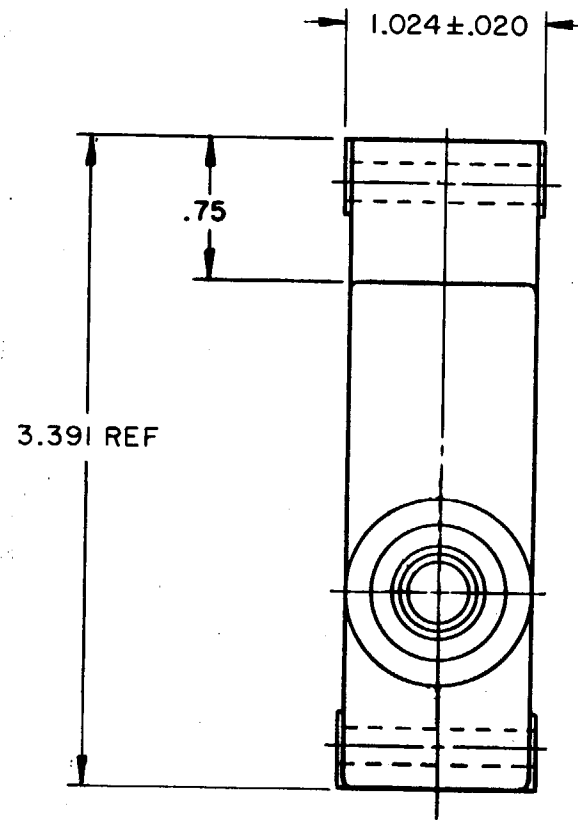
PR-1341

RELEASE NO.

OMW

25 FEB 70

79-89378-003



NOTE -
 1 - 6-32 UNC X .219 REF BINDING HEAD TERMINAL SCREW AND CUPWASHER (3)

THIS DRAWING COVERS A PROPRIETARY ITEM AND IS THE PROPERTY OF MICRO SWITCH, A DIVISION OF MINNEAPOLIS-HONEYWELL REGULATOR CO. THIS DRAWING IS NOT TO BE COPIED OR USED WITHOUT THE APPROVAL OF MICRO SWITCH.		
CHARACTERISTICS	ELECTRICAL DATA	SCALE FULL
OPERATING FORCE ----- 9-24 OZ	CONTACT ARRANGEMENT S P D T	DO NOT SCALE PRINT
RELEASE FORCE ----- 4 OZ MIN	15A - 125, 250 OR 480 VAC, 2A - 600 VAC 1/8HP - 125 VAC; 1/4HP - 250 VAC CODE L74 1/2A - 125 VDC; 1/4A - 250 VDC	UNLESS OTHERWISE NOTED
DIFFERENTIAL TRAVEL ----- .002 MAX		DIMENSIONS ARE IN INCHES
OVERTRAVEL ----- .219 MIN		TOLERANCES ARE:
SWITCH-BASIC REPLACEMENT ----- BZ-2RN770		ONE PLACE (.0) ± .030 TWO PLACE (.00) ± .015 THREE PLACE (.000) ± .008 ANGLES ±
	WEIGHT	